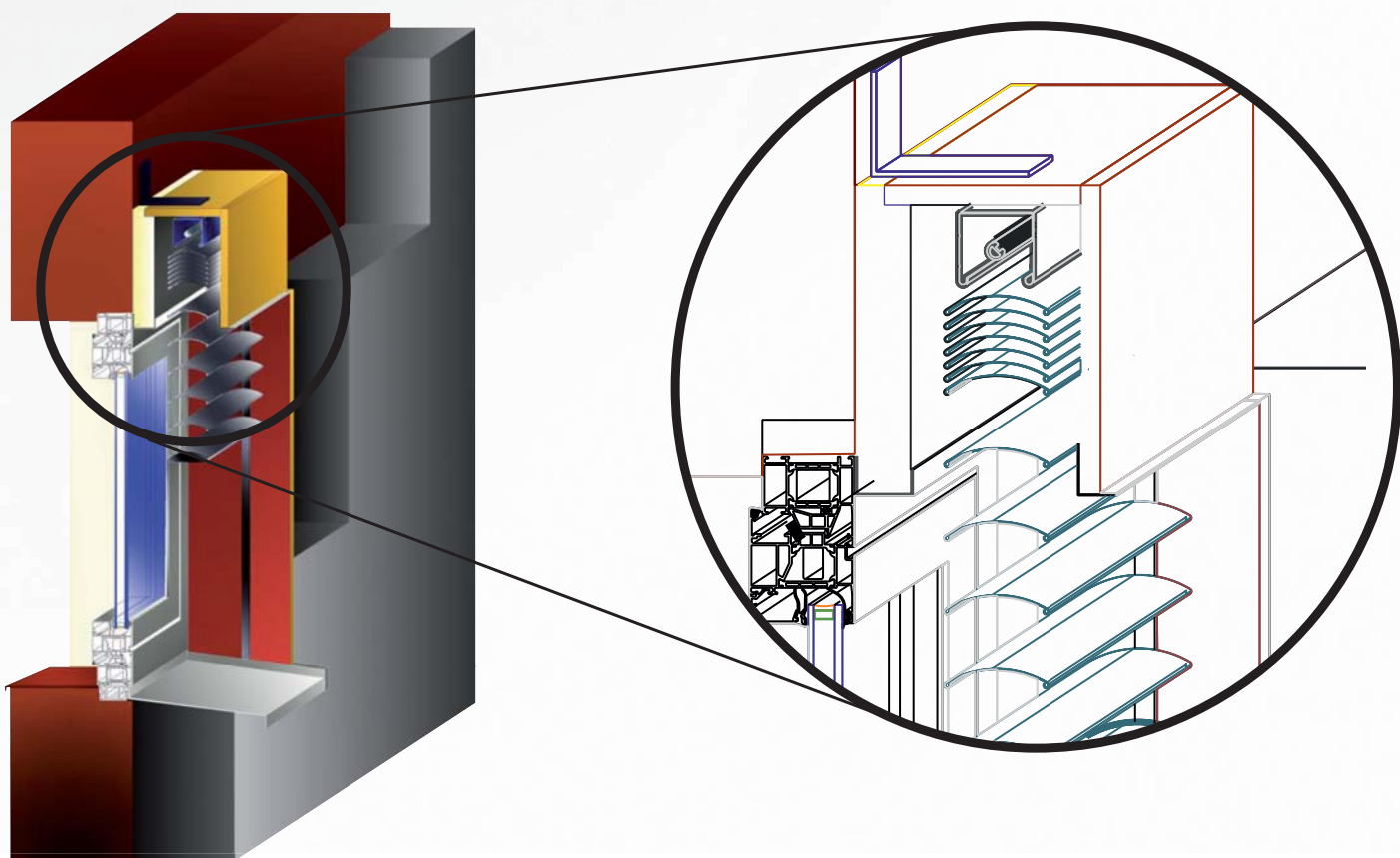


UNDERPLASTER PURENIT BOX

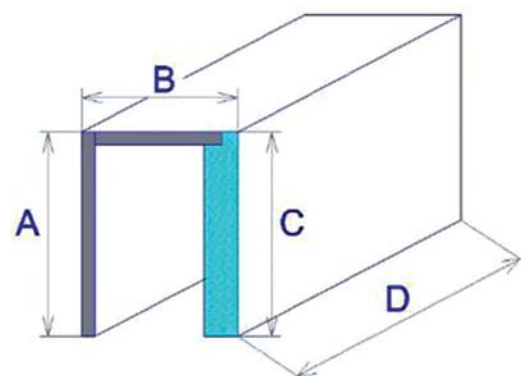


Thermo isolation box for external venetian blinds is well designed construction part which brings lots of useful features. These come especially from the PURENIT material characteristics which the boxes are produced from.

Isolation boxes are extremely resistant against many effects (pressure, temperature, moisture, etc.) and are very durable and light. PURENIT is characterized by minimal temperature dilatation and fire resistance is B2 according to DIN 4102-1.

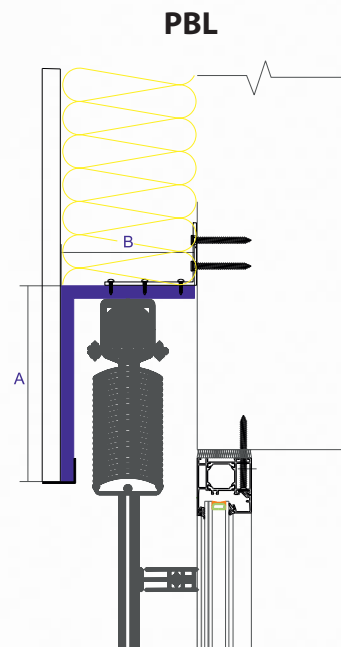
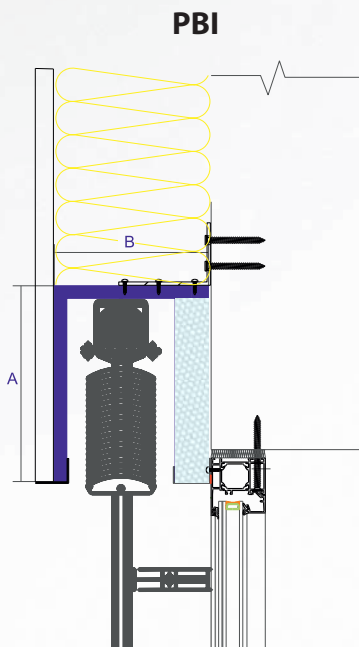
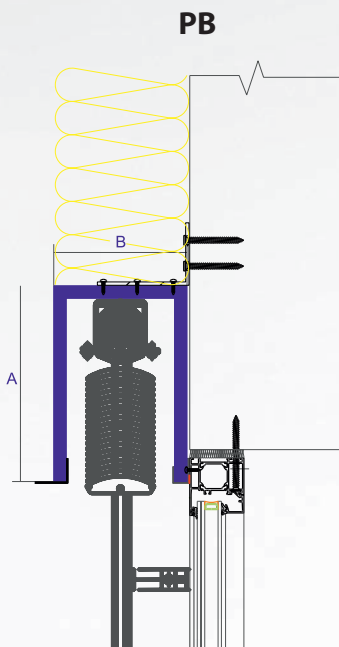
Boxes from harmless recycled material can be produced in various dimensions and variations.

| Limit box dimensions | | | | | |
|----------------------|------------------|-------------|-------------|-------------|--|
| Box length D | | Dimension A | Dimension C | Dimension B | |
| Min. | Max. in 1 piece* | Max. | Max. | Max. | |
| 450 mm | 2400 mm | 600 mm | 600 mm | 400 mm | |



*If the box is longer than 2400mm (board size) it is supplied in more pieces which need to be connected later together see boxes connection straight and angled

PURENIT BOXES AND WALL ISOLATION VARIATIONS



| Extended box width |
|--------------------|
| 0 – 700 mm |
| 701 – 820 mm |
| 821 – 1000 mm |
| 1001 – 1200 mm |

| Extended box width |
|--------------------|
| 0 – 700 mm |
| 701 – 820 mm |
| 821 – 1000 mm |
| 1001 – 1200 mm |

| Extended box width |
|--------------------|
| 0 – 430 mm |
| 431 – 460 mm |
| 461 – 540 mm |
| 541 – 610 mm |

Under plaster rail

| Type | Dimensions | |
|------|------------|----|
| | H | J |
| 20 | 20 | 3 |
| 25 | 25 | 8 |
| 30 | 30 | 13 |
| 35 | 35 | 18 |
| 40 | 40 | 23 |
| 45 | 45 | 28 |

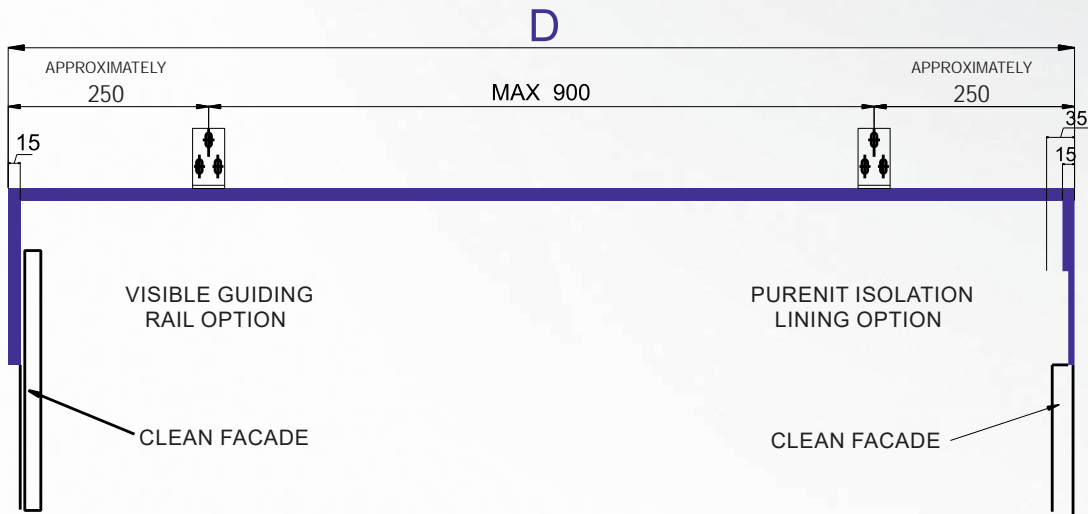
Mounting U profile

| Type | Dimensions |
|--------|----------------|
| | B ₁ |
| PB | 15 |
| PBI 30 | 30 |
| PBI 40 | 40 |
| PBI 50 | 50 |
| PBI 60 | 60 |

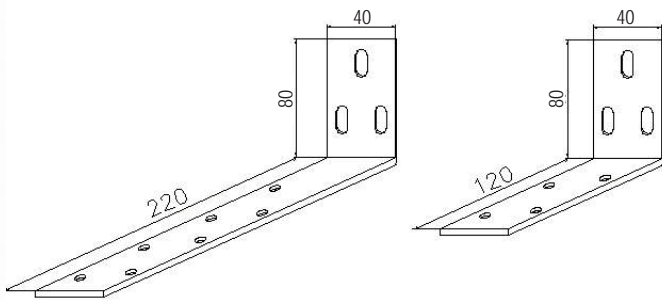
| Thickness of PIR* isolation (for PBI type) | 30 mm | 40 mm | 50 mm | 60 mm |
|---|-------|-------|-------|-------|
| Coefficient of thermo-transfer U - W/(m ² K) | 0,73 | 0,59 | 0,49 | 0,42 |
| Thermo-resistance R - (m ² K)/W | 1,1 | 1,4 | 1,8 | 2,1 |

*PIR = polyisocyanurate foam

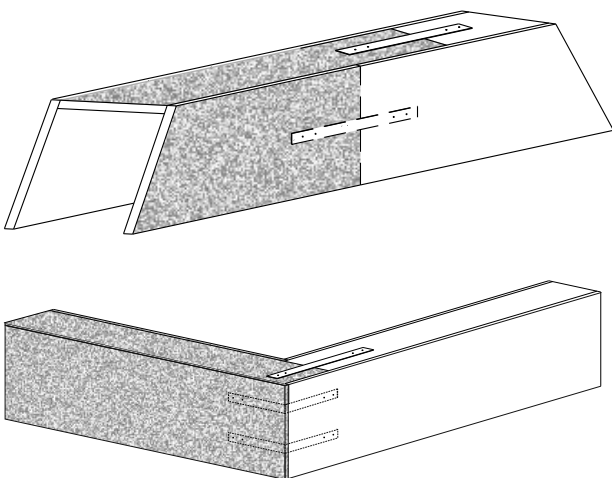
Longitudinal box cut (minimal recommended number of brackets)



Mounting brackets



Boxes connection straight and angled



*If the box is longer than 2400mm (board size) it is supplied in more pieces which need to be connected later together

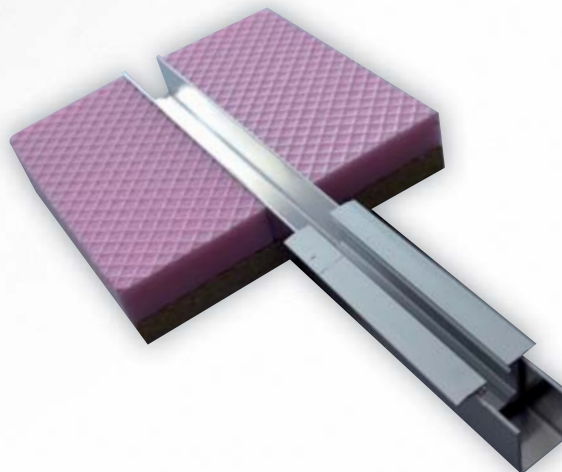


... protecting your privacy.

Picture of mounting



Purenit isolation lining



ISOTRA a.s.

Bílovecká 2411/1, 746 01 Opava
Czech Republic

Tel.: +420 **553 685 111**
Fax: +420 553 685 110
E-mail: isotra@isotra.cz

www.isotra.cz

Released: 07/2016

ISOTRA Partner

