

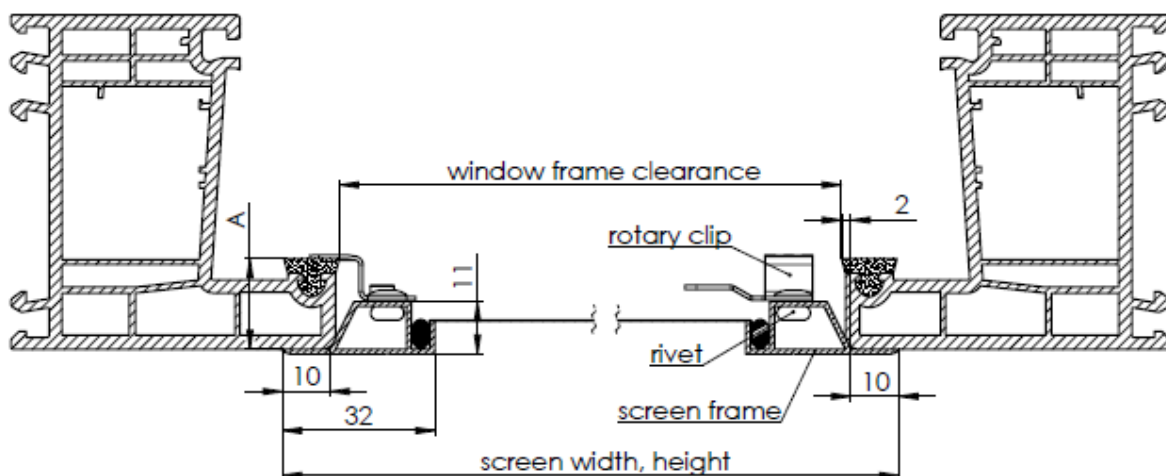
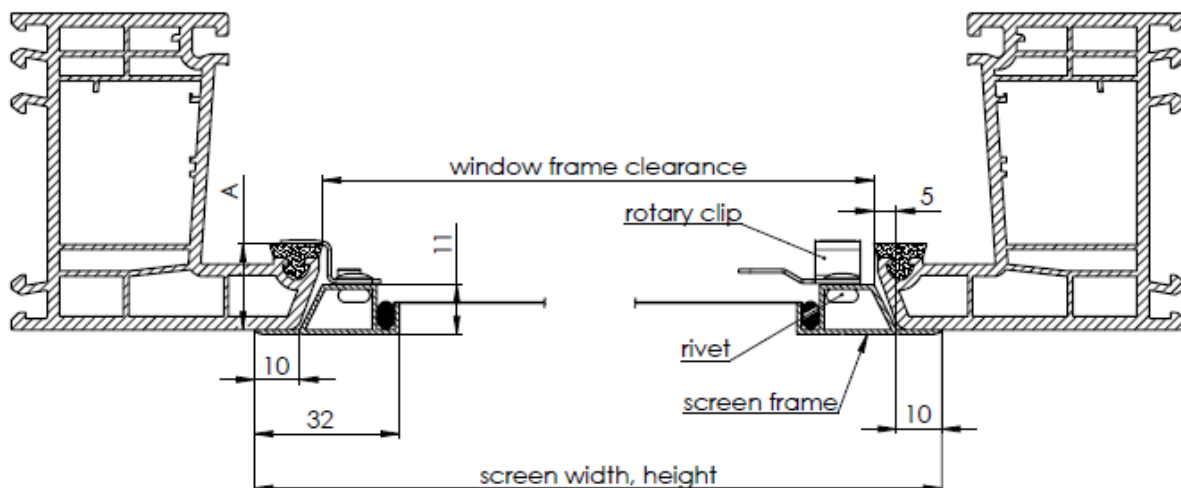
C10 ANTI-INSECT SCREEN

1. MEASUREMENTS

The total width and height of the screen when measured, including the collar (see Fig). The depth of the window frame for fitting the screen = the height of the clamp. Measurements are taken at three points, the lowest value is used. Screens are produced in widths of 300 mm to 2000 mm and heights of 300 mm to 2000 mm.

For the most exact determination of the screen dimensions and the depth of the window frame (clamp) it is necessary to use a sample frame of a specific screen (C10).

The width of the profile of the frame for the C10 is 33 mm, including the collar. The profile dimensions are 33 x 11 mm. The screen frame intervenes into the clearance of the frame according to the type of edge of the frame and the screen frame used.



2. ASSEMBLY

Assembly is done with rotary clamps from the interior and does not require any drilling or intervention into the window frame. The frame screen is secured by turning. Rotary clamps are riveted to the frame and the height is determined by the depth of the window frame for fitting the screen.

N.B.

This screen is not recommended for windows with drips or any other obstacle that would prevent installation of the screen!

Selection of rotary holders (Fig.1)

If the dimension is greater than 1,200 mm, then reinforcement is recommended. This recommendation is valid for the length and width of the screen.

