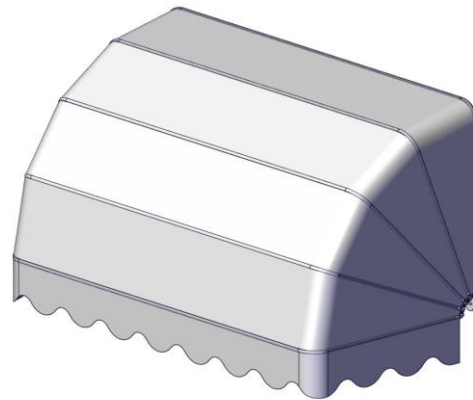
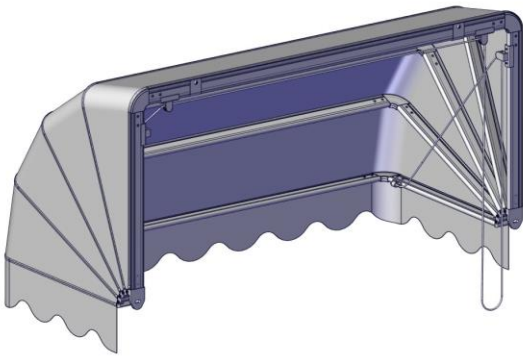


BASKET AWNING

1. CONTROL

CORD CONTROL = FOLDING AWNING

NO CONTROL = SOLIN AWNING



Control of the folding dome awning is used for the unfoldment and withdrawal of the awning to the requested position.

2. MAINTENANCE

- Dirt is removed by fine brushing or vacuuming of material.
- The material is cleaned using a solution of water and soap (the maximum temperature of the solution is 30°C).
- Rinse the soap solution from the cloth using clean water.
- Before folding the awning, let it fully dry.
- Stains from oil or other fat can be wiped from the edge to the centre using technical fuel.

3. SAFETY INSTRUCTIONS

- During rain, storms and winds, it is necessary to roll up the awning. The awning must not be used during snow and when temperatures fall below freezing. The excessive loading due to the influence of these factors can damage the product.
- The construction of the awning should not be overloaded.
- Handle the awning carefully, especially during cleaning.

Validity of the manual: 8. 9. 2020

NOTIFICATION:

- Assembly and maintenance must only be performed by fully-qualified persons who are authorized and capable of the stated actions.
- In the case of a defect or mechanical damage to the product, prevent any further use.

NOTES:

- If the product is not functional, contact the seller or the firm which assembled the product.
- The display of the product may slightly differ from the actual version. The producer reserves the right to make changes.
- After the termination of the service life, do not dispose of in communal waste. Materials used can be separated and handed over in accordance with the valid regulations on waste and environmental protection.
- Information on waste collection points can be obtained from the local administration office.