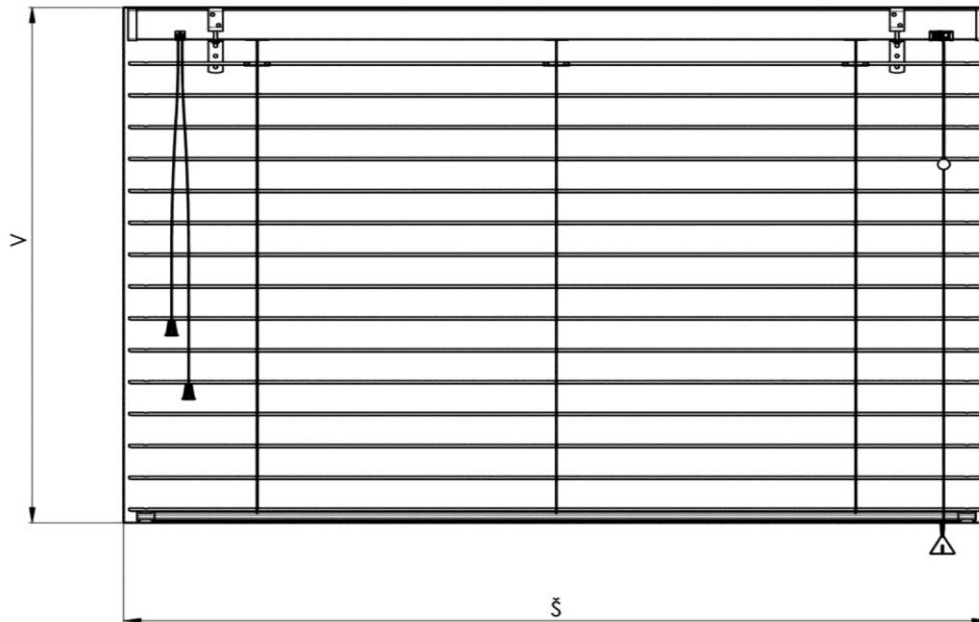


CETTA 35,50 - ECONOMY



1. MEASUREMENTS

Cetta 35,50 - Economy blind can be located either into the hole, or in front of the hole with the assembly on the ceiling or on the wall.

THE WIDTH AND HEIGHT ARE MEASURED IN THE FOLLOWING MANNER:

w.... (width)

a) Mounting into the hole

The actual width of the hole is measured in three points, dimensions decreased by 5 mm than the measured value is to be stated in the order form.

b) Mounting on the hole

The width of the hole which the blind is to cover is to be stated in the order form.

The width of the blind is produced with a precision of **millimetres** up to the weight of **3,150 mm**.

Dimensions outside the stated limits are recommended to be consulted with the manufacturer.

h (height)

the total height, including upper profile and the holder of the blind is measured

The height of the blind is produced with a precision of **millimetres** up to the height of **3,000 mm**.

Dimensions outside the stated limits are recommended to be consulted with the manufacturer.

Issued on: 1.09.2014

Side guiding:

Cetta 35,50 - Economy blind is produced with side guiding (guiding wire 2.2mm) as well as without side guiding.

Length of control:

Unless stated in the order otherwise, 2/3 of the height of the blind is selected in the standard variation (for control by the tilting unit cord). The length of the cord is stated by the producer (always connected to the lower profile of the blind)

Colour:

Upper and lower profile RAL 9003 (white), RAL 9006 (silver)

Slats: according to the actual pattern sheet of slats C35.C50 Isotra a.s.

Plastic components for the upper profile, colour nature and clear

Plastic components for lower profile, colour white, silver and clear

2. ASSEMBLY

Assemble exclusively according to this manual to prevent redundant assembly errors and other related problems.

TOOLS FOR ASSEMBLY

- Tape measure
- Water gauge
- Pencil
- Hammer
- Cordless electric drill and drills according to base material
- Accumulator drill
- Magnetic adapter, Bits PZ2, PH2

INSPECTION:

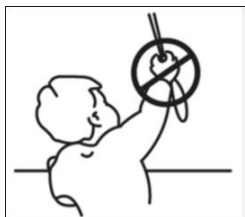
- before assembly we recommend to inspect all parts during the delivery of goods; this will prevent the origination of any problems. Any defects or comments concerning the assembly or blinds must be notified to the manufacturer..

ASSEMBLY:

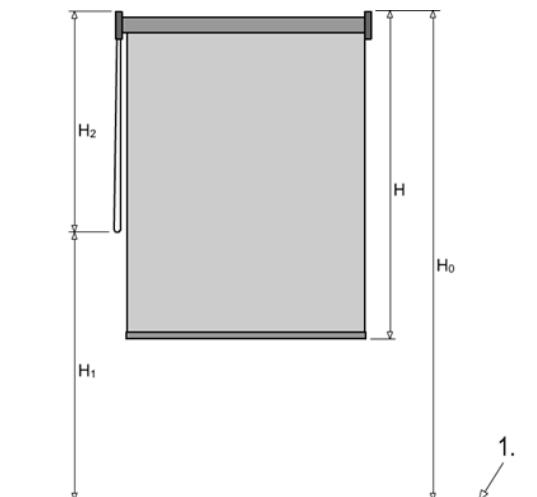
- Measure the hole and compare with the already prepared blind, check the control mechanism.
- Locate the holders on the blind so as not to intervene into the bearings of the blind and control segments.
- Fix the holders horizontally.
- Insert the blind into the sleeves in the holders and fix.
- Lower the blind into the lower position
- Attach the wire holders if the blind has slats guided by the rope
- At the same time, inspect if the wires do not clamp the slats.

Issued on: 1.09.2014

ATTENTION!



Pursuant to the EN 13120:2014 standard, window blinds shall be installed in accordance with the following instructions:



Cord controls:

The blinds shall meet the following requirements:

If fully pulled up, the pull cord(s) length shall be limited (the reel shall be located as follows):

If installation height (H_0) is not specified, and

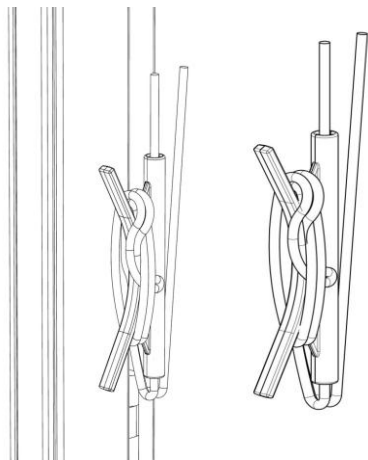
- i) if the blind height (H) is less than or equal to 2.5 m, the length of the pull cord(s) (H_2) shall be less than or equal to 1 m (see Fig.): $H_2 \leq 1$ m.
- ii) if the blind height (H) exceeds 2.5 m, the length of the pull cord(s) (H_2) shall be less than or equal to the height of the blind minus the value of 1.5 m (see Fig.): $H_2 \leq H - 1.5$ m.

If installation height (H_0) is specified, the distance from the floor to the bottom part of the pull cord(s) (H_1) shall be at least 1.5 m (see Fig.): $H_1 > 1.5$ m.

The pull cords shall meet the following requirements:

In case of two pull cords:

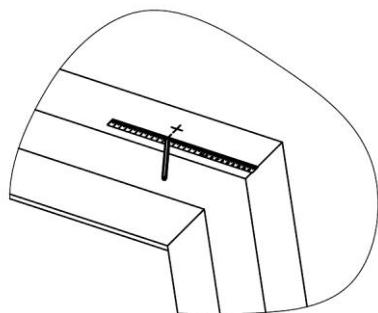
the pull cords must never entangle.



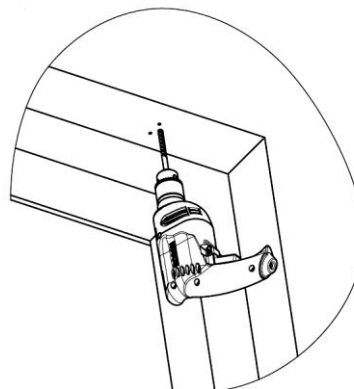
ASSEMBLY

Assembly on the ceiling

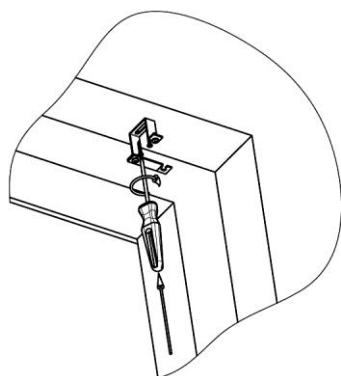
1) MEASUREMENT OF CEILING



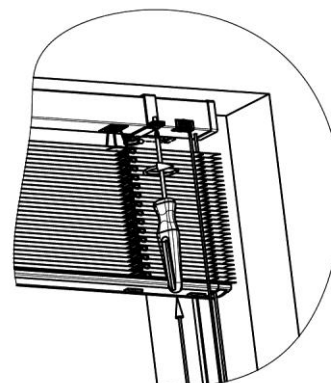
2) DRILLING, CEILING



3) ATTACHING OF HOLDERS, CEILING

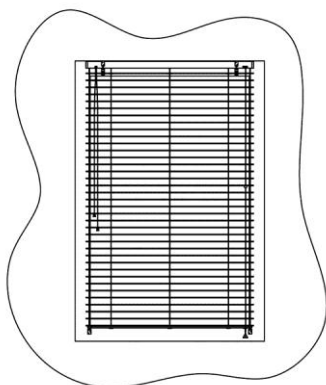


4) SUSPENDING, CEILING

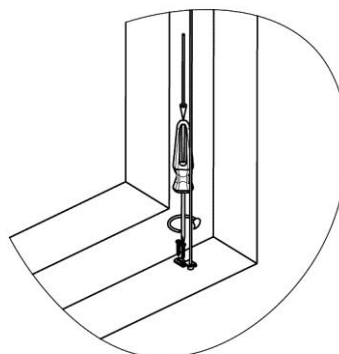


Issued on: 1.09.2014

5) LOWERING OF THE BLIND



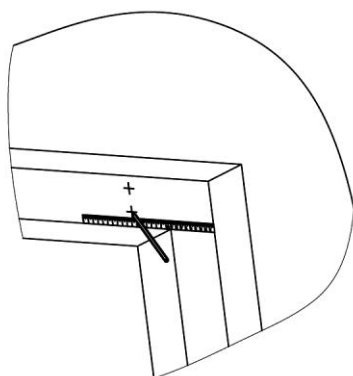
6) ASSEMBLY OF GUIDING



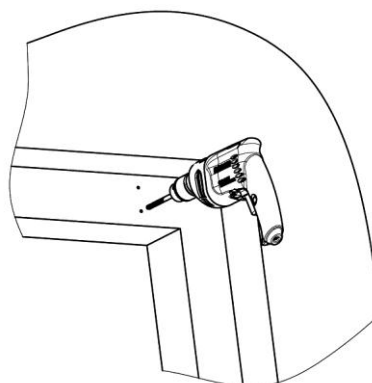
ASSEMBLY

Assembly on the wall

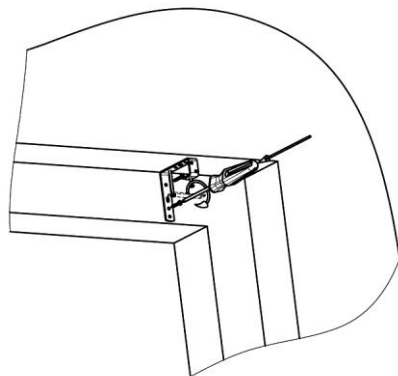
1) MEASUREMENT



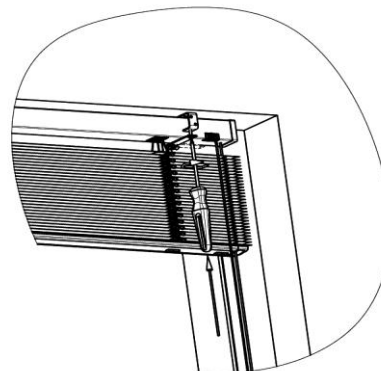
2) DRIBLING HOLES FOR HOLDERS



3) ATTACHING OF HOLDERS



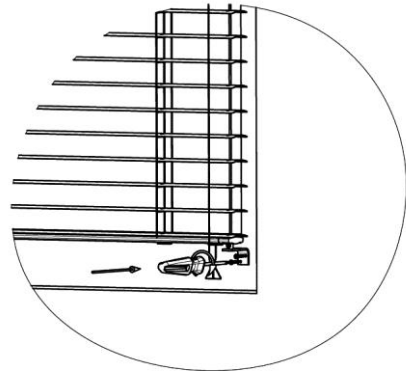
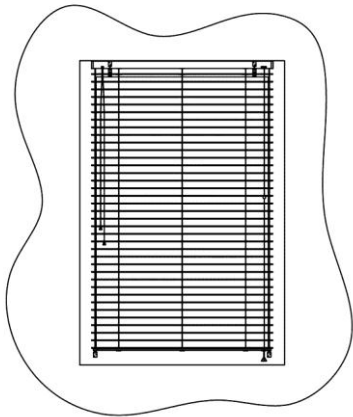
4) SUSPENDING OF BLIND



5) LOWERING OF THE BLIND

Issued on: 1.09.2014

6) ASSEMBLY OF GUIDING



Issued on: 1.09.2014