



# AWNINGS



*... be inspired.*





# AWNINGS

*... be inspired.*

Be inspired by design trends and change your terrace or balcony into a nice place to relax. Wide collection of high-quality colour fabrics allows you to choose according to your wishes.

Awnings combine practicality and elegance. They represent an effective protection against sunrays and complete the appearance of your house. Due to their simple construction and high quality design, the awnings are often used not only for shading terraces of family houses but also in the commercial sphere.



#### ISOTRA AWNINGS PROVIDE:

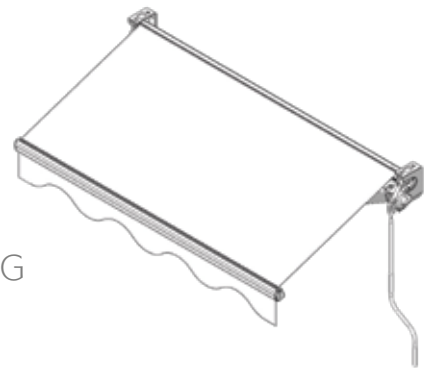
- Roof for small and large terraces and verandas;
- wide collection of DICKSON fabrics with a special coating CLEANGARD and SATTLER fabrics with a special coating TEXgard
- used SUNACRYL fibres and mass dying technology (solution dyed acrylic fabrics) ensure high colour fastness of awning fabrics;
- possibility of electrical control and choice of sun / wind sensor;
- maximum extension of 3.5 m;
- awning arms made of special aluminium alloy.





# JASMINA

AN AWNING WITHOUT ANY CARRYING PROFILE



JASMINA is a lightweight horizontal awning which stands out for its lightness and airiness thanks to its simple design without any carrying profile. It is widely used for shading terraces, balconies or restaurants. The outdoor awning Jasmina will reliably protect you not only against sunrays; due to a special surface treatment Cleangard applied to the fabric, it is able to cope also with moderate rain. The awning structure consists of two side brackets between which there is a cylinder made of zinc-coated steel that serves for winding the fabric. Arms are ended with

a front profile containing a drip ledge to drain rain water and are attached to these brackets. Folding arms are made of special aluminium alloy and their positioning is optimally scalable.

The awning can be sheltered by a canopy made of zinc-coated sheet metal which protects the fabric against atmospheric influences and enhances the overall aesthetic appearance of the awning. Awning fabrics DICKSON and SATTLER are resistant against fungi and keep high colour durability thanks to the special treatment.

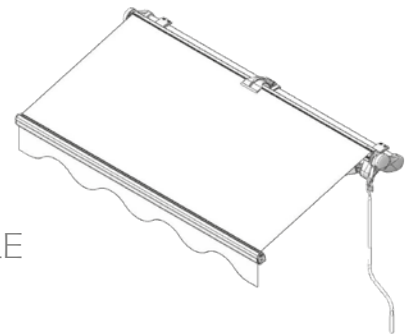


Extension	1,5 m; 1,75 m; 2 m; 2,25 m; 2,5 m; 2,75 m; 3 m
Maximum extension	3 m
Maximum width	4,8 m
Minimum width	Extension + 0,5 m
Informative weight on one standard meter of width	10 kg
Arm type	Folding, aluminium, with springs and belt
Motion angle	20° - 75°
Winding shaft size	70 mm, 78 mm
Structure colour	Standard white RAL 9016, other RAL colours
Pelmet	Height 21 cm (+/- 0,5 cm)
Manual control	Handle 150 cm, 180 cm, 220 cm, 250 cm
Electric control	Motor, motor with emergency handle, remote control, automatic wind / sun sensor, Tahoma
Canopy	On request
Assembly	To the facade or into the ceiling
Printing on awning	On request



# STELA

## AN AWNING WITH A CARRYING PROFILE



Spend a beautiful afternoon in the pleasant shadow of the outdoor awning STELA. The Stela awning with a carrying profile combines elegance and functionality. Its design provides high durability even during an intensive use in private as well as commercial sectors and is particularly suitable for shading large areas.

The awning structure consists of brackets with a carrying steel profile, articulated arms, cylinder for winding the fabric, front profile and control mechanism. The front profile is fitted with a drip ledge which prevents the formation

of water pockets on the awning unreel and serves for draining rain water. As regards this awning, we offer a version with cross-arms which allow an extension of the awning greater than its actual width.

The coiled awning can be protected by a canopy made of zinc-coated sheet metal. The awning coat can be manufactured from a special awning fabric DICKSON or SATTLER. The same material can be also used for the pelmet whose shape and size are optional.



Carrying profile	40 x 40 mm
Extension	1,5 m; 1,75 m; 2 m; 2,25 m; 2,5 m; 2,75 m; 3 m; 3,25 m; 3,5 m; 3,75 m; 4 m
Maximum extension	4 m (3,5m for crossed arms and half-cassette)
Maximum width	7 m
Minimum width	Extension plus 0,5m (standard arm structure); extension minus 0,75m (crossed arm structure)
Informative weight on one standard meter of width	14 kg
Arm type	Folding, aluminium, with springs and belt
Motion angle	15° - 45° for max. extension 2,5 m; 5° - 45° for max. extension 3,5 m
Winding shaft size	78 mm
Structure colour	Standard white RAL 9016, other RAL colours
Pelmet	Height 21cm (+/- 0.5 cm)
Manual control	Handle 150 cm, 180 cm, 220 cm, 250 cm
Electric control	Motor, motor with emergency handle, remote control, automatic wind / sun sensor, Tahoma
Canopy	On request
Assembly	To the facade, ceiling or roof
Printing on awning	On request



# EMMA

## CASSETTE AWNING



Enjoy the summer atmosphere and relax in the pleasant shadow of the the awning EMMA. The cassette awning EMMA is a smart sun shade with a rounded cassette which is suitable for places where the exposed construction would be distracting. The cassette has an aesthetic as well as protective function. When coiled, the fabric is perfectly hidden inside the cassette being thus protected against external weather influences.

Mounting brackets allow an easy installation and adjustment of arms from the vertical up to horizontal inclination. By using the eccentric screws in arm holders, the user can centre the arms into the plane.

The awning coat can be manufactured from a special awning fabric DICKSON or SATTLER. The same material can be also used for the pelmet whose shape and size are optional. A canopy is not necessary because the cassette completely protects the fabric against unfavourable weather conditions.



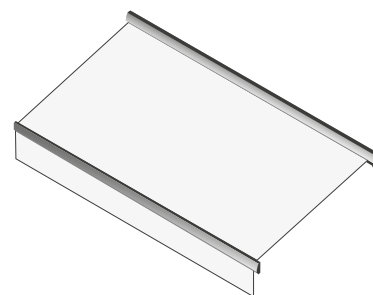
Extension	3 m
Maximum extension	3 m
Maximum width	5 m
Minimum width	2.050 m (motor); 2.120 m (handle)
Informative weight on one standard meter of width	15 kg
Arm type	Folding, aluminium, with springs and belt
Motion angle	0° - 50°
Winding shaft size	70 mm, 78 mm
Structure colour	Standard white RAL 9016, other RAL colours
Pelmet	Height 21 cm (+/- 0.5 cm)
Manual control	Handle 150 cm, 180 cm, 250 cm
Electric control	Motor, motor with emergency handle, remote control, wind/sun/shock sensor, Tahoma
Assembly	To the facade into the ceiling
Printing on awning	On request





# OLIVIA

## CASSETTE AWNINGS



The awning OLIVIA is one of the most deluxe models on a European scale. Technologically sophisticated product satisfies even the most demanding customer requirements for luxury, comfort and functionality in conjunction with a long service life. With its drop or depth of at least 4 metres, it is ideal for a large terrace area.

The electric vario valance is optional original accessory of the awning OLIVIA. The lighting integrated into the bottom of the cassette can be added or you can choose other additional equipment (e.g. heating). The awnings can be coupled up to total width 12 m (2 pcs of awning).



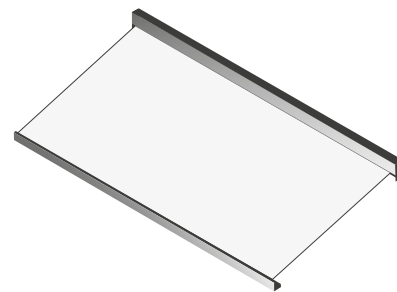
Min. extension	2 m
Max. extension	4 m
Min. width	2,75 m
Max. width	7 m
Informative weight on one standard meter of width awning:	
without a rear box	20 kg
with a rear box	22 kg
with vario valance	24 kg
Arm type	folding aluminium with spring and belt
Angle of arm slope	10° - 45°
Winding shaft size	85 mm, 40 mm (variovalance)
RAL colour of construction	RAL 1015, 7016, 7016 Structure, 7035, 8014, 9006, 9007, 9010
Valance height	height 210 mm / 250 mm / 300 mm
Variovalance	max. height 1,5 m
Manual control	-
Electric control	motor, remote control, wind/sun/shock sensor, Tahoma
Assembly	on the facade, ceiling or roof
Printing on awning	on request





# DAKOTA

## CASSETTE AWNINGS



The awning DAKOTA with its sleek design guarantees a harmonious embellishment for your facade. The closed cassette system ensures that the fabric is fully protected, even in places that are not sheltered from rain or wind. Sun protection in the daytime, atmospheric after sunset.

The lighting integrated into the bottom of the cassette can be added or you can choose other additional equipment (e.g. heating). The awnings can be coupled up to total width 12 m (2 pcs of awning).



Min. extension	2 m
Max. extension	3,5 m
Min. width	2,55 m
Max. width	7 m
Informative weight on one standard meter of width	20 kg
Arm type	folding aluminium with spring and belt
Angle of arm slope	10° - 35°
Winding shaft size	78 mm
RAL colour of construction	RAL 1015, 7016, 7016 Structure, 7035, 8014, 9006, 9007, 9010
Valance height	height 210 mm
Manual control	handle
Electric control	motor, remote control, wind/sun/shock sensor, Tahoma
Assembly	on the facade
Printing on awning	on request



# SATTLER AWNING FABRICS

THE FABRICS FEATURE SPECIAL TEXGARD SURFACE FINISH, DISTINGUISHED BY SUPERIOR QUALITY AND LONG-TERM PROTECTION.

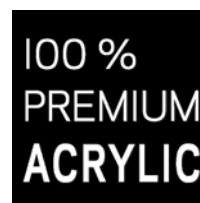
This technology prevents ageing and the fabric retains its appearance for a much longer time. Each strand is carefully covered with this protective layer, preventing penetration of water, moisture, and dirt, and supporting the self-cleaning effect. Dirty drops therefore cannot penetrate the fabric, but they remain on its surface and flow down. Each fabric from this collection is made of 100% premium acrylic. The fabric manufacture is environmentally-friendly and is ISO certified.

If the awning fabric is properly maintained, it will remain protected and retain its modern appearance for many years thanks to the technology used. SATTLER fabrics are distinguished by their design, they are very pleasant to the touch, colour-fast, they feature high UV protection, protect from various vagaries of the weather, and repel dirt.

According to their composition and properties, SATTLER awning fabrics are classified in three categories: ELEMENTS, LUMERA, and LUMERA 3D. Fabrics in ELEMENTS category are made of 100% basic acrylic fibre, constituting the unique textile surface of all fabrics within this category. Due to the added TEXgard technology, the fabrics give the product excellent properties like rain and sunlight protection and resistance to dirt. Thanks to the acrylic yarn, the fabrics remain bright and attractive.

Fabrics in LUMERA category are composed of 66% basic acrylic fibre and 33% CBA (Clean Brilliant Acrylic). This means one third of the fabric is pure, high-quality acrylic, providing smoother and firmer fabric surface, increasing the self-cleaning effect, the colours are shinier and remain cleaner for a longer time. This category includes Landscape, Landscape Mini, Solids 1, and Solids 2 collections.

The last category is LUMERA 3D, with fabrics composed of 33% basic acrylic fibre and 66% CBA. Fabrics in this category contain twice as much pure, high-quality acrylic than LUMERA fabrics, making them unique in appearance and extremely pleasant to the touch. Fine structure of the fabric is combined with a special optical effect. LUMERA category includes Surface collection fabrics.



STRIPES

S ORAN 778



LANDSCAPE

S LAND 658



SURFACE

S SURF 210







**ISOTRA a.s.**

Bílavecká 2411/1, 746 01 Opava  
Czech Republic

Tel.: **+420 553 685 111**

E-mail: [isotra@isotra.cz](mailto:isotra@isotra.cz)

**[www.isotra.com](http://www.isotra.com)**

Released: 09/2022

**ISOTRA Partner:**



*... be inspired.*