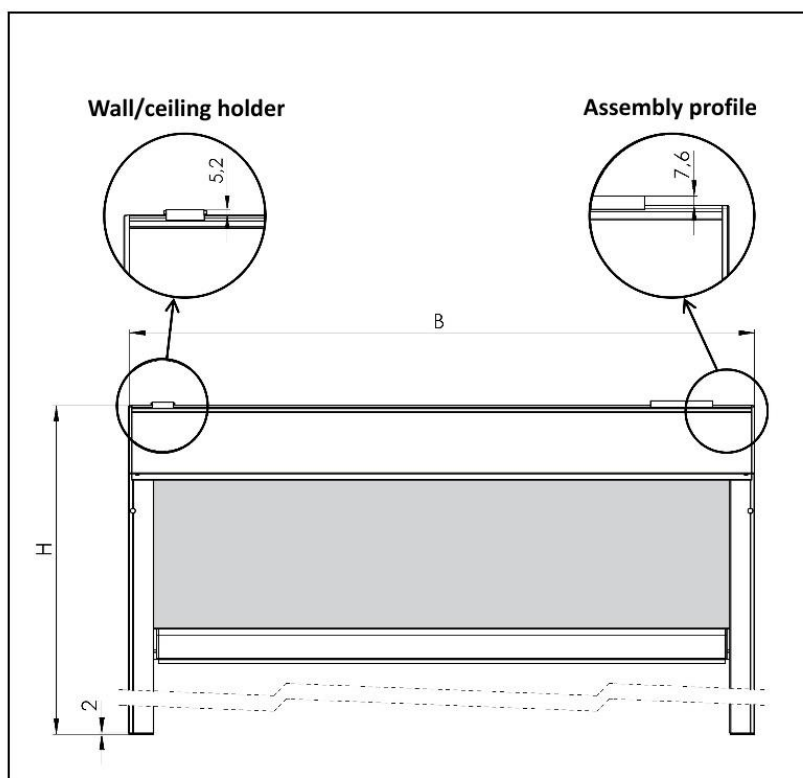


SCREEN ALFA-ZIP, SCREEN ALFA PLUS-ZIP

Taking measurements of the ALFA-ZIP and ALFA PLUS-ZIP screen roller shutters

Final width B = distance between side pieces.

Final height H = height of the box and guide rail end pieces (thickness of guide rail end pieces = 3 mm) exclusive of the wall/ceiling holder or exclusive of the assembly profile.



Assembly of the ALFA-ZIP and ALFA PLUS-ZIP screen roller shutters

There are several methods of roller blind installation depending on the installation situation.

Note: For the self-supporting version of the screen roller shutter assembly, please refer to Variant A, Method 2.

Variant A: Using the wall/ceiling holders

Method 1. Attaching the box using wall/ceiling holders, sliding the guide rails on the side piece pin, and securing the guide rails by bolts.

Method 2. Placing the complete assembly of the box and guide rails in or above the window opening and securing by bolts (used where there is insufficient space for sliding the guide rails on the side piece pin, for example due to the presence of a window sill, or for the self-supporting version of the screen roller shutter).

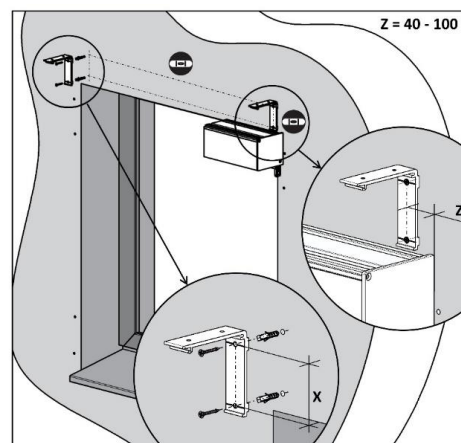
METHOD 1. Attaching the box using wall/ceiling holders, sliding the guide rails on the side piece pin, and securing the guide rails by bolts.

Box type	X
90	52 mm
110	73 mm
150	115 mm



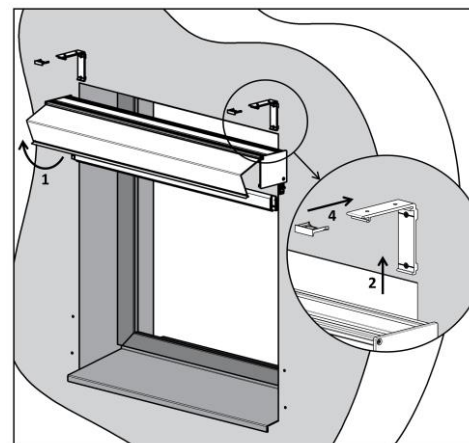
Step 1: Drilling the holes for the wall/ceiling holders

1. Place the wall/ceiling holders to the assembly surface. Use the upper holes for ceiling mounting, and the rear holes for wall mounting.
2. The box must be perfectly horizontal, and therefore make sure whether the wall/ceiling holders are properly aligned. To do this, use a tube spirit level and a plumb line, or another suitable tool.
3. The wall/ceiling holders must be installed 40–100 mm from the box sides. Any additional holders are to be installed evenly distributed along the box width and they are intended to prevent arching of wider boxes.



Step 2: Installing the box to the wall/ceiling holder

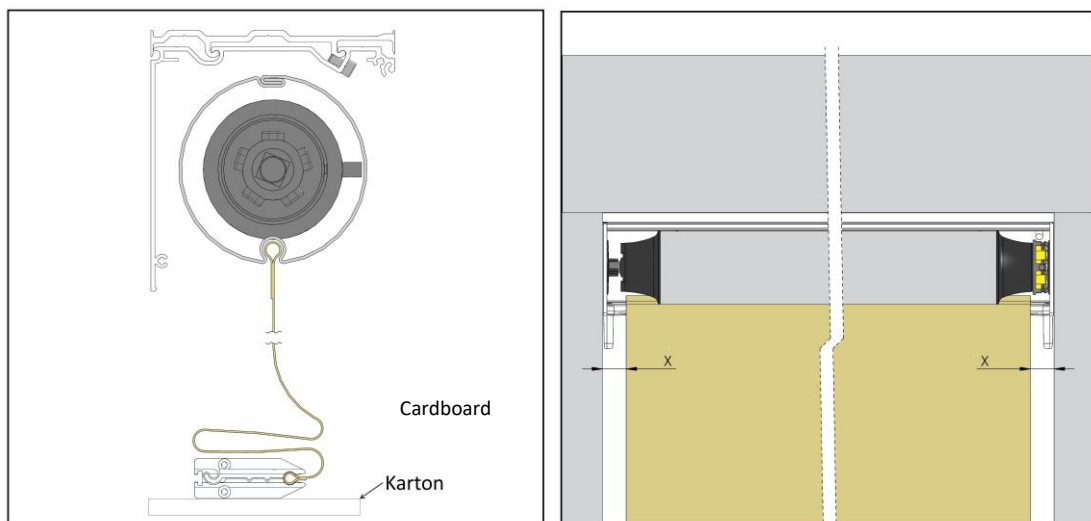
1. Remove the front cover of the box.
2. Fit the box to the wall/ceiling holders.
3. Make sure the box is correctly fitted to all holders.
4. Fit and push the safety locks; they must click to correct position.



Step 3: Centring the fabric in the box

1. Unroll the fabric completely from the roller (the fabric remains slid in the roller groove). Doing this, prevent soiling of the fabric and damage to the lower profile.
2. Centre the fabric in the roller so that it is in the centre of the box (not in the centre of the roller).
3. Check whether the fabric rolls up evenly → perform 2–3 control cycles. (CAUTION! End positions of the motor have not been set yet!)

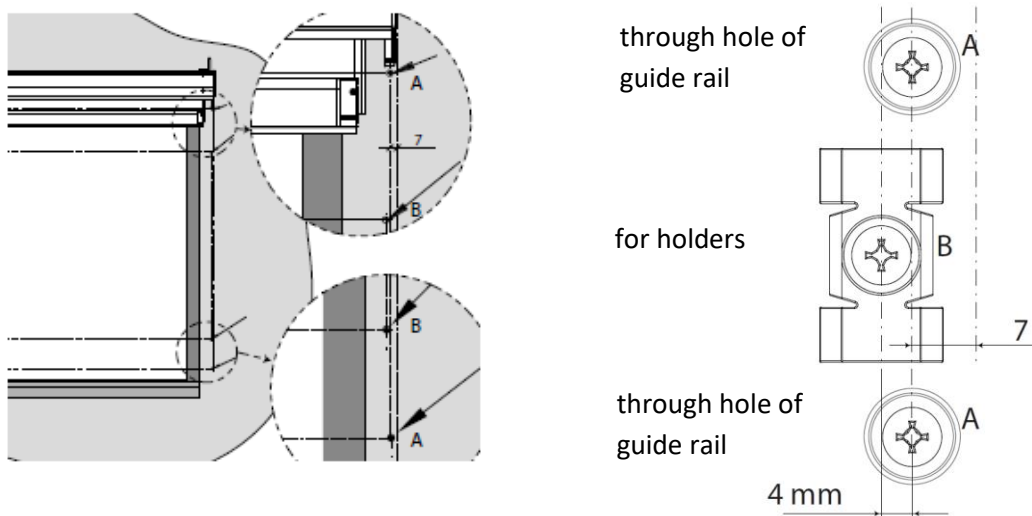
End the check by moving the lower rail approx. 15 cm under the box.



Step 4: Drilling holes for the guide rails

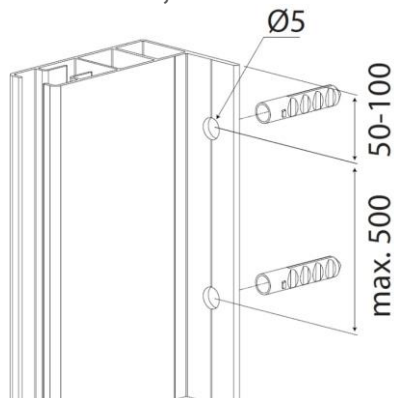
Guide rails A839, A829:

1. Indicate holes to be drilled to the wall or another assembly surface.
2. Use predrilled guide rails to do this.
3. A indicates holes for attaching the guide rails (see Fig. below).
4. B indicates holes for the holders (see Fig. below).

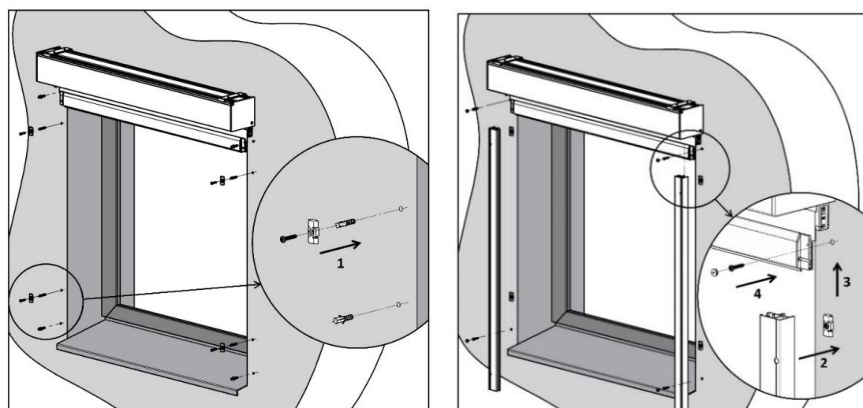


Guide rails A830, A820:

Use predrilled holes in the rails to attach the guide rails A830, A820.

Guide rails A838, A828:

Step 5: Installing the guide rails
Guide rails A839, A829:

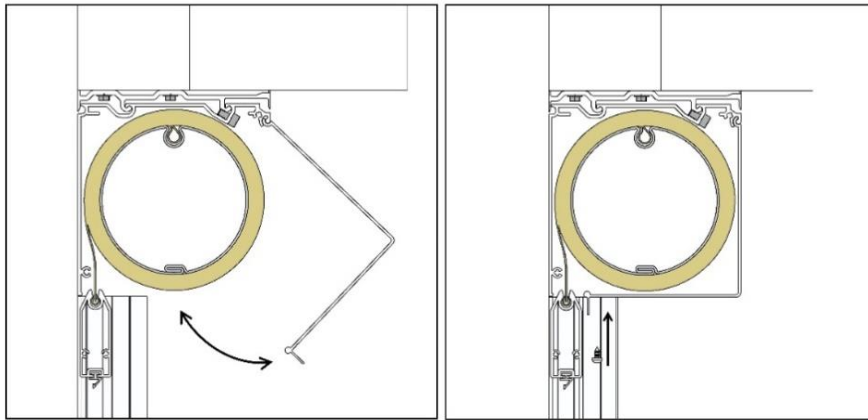
1. Attach the holders to the assembly surface.
2. Click the guide rails to the holders head-on.
3. Slide the guide rails to the side piece pins and make sure whether the bottom slat end pieces fit properly in the guide rail slots and whether the fabric zipper fits in the plastic insert in the bottom slat.
4. Attach the guide rails to the assembly surface through holes A.


Guide rails A830, A820, A838, A828:

Slide the guide rails on the side piece pins and attach them to the assembly surface through holes A.

Step 6: Attaching the front cover

Reinstall the box front cover.



Step 7: Adjusting the motor

It is necessary to connect the motor cables according to the drawing from the supplier and must be carried out by trained professionals. The entire electrical line must be de-energized during connection. The motors are in the factory settings, and during assembly it is necessary to perform the settings according to the manufacturer's instructions, including the end stops.

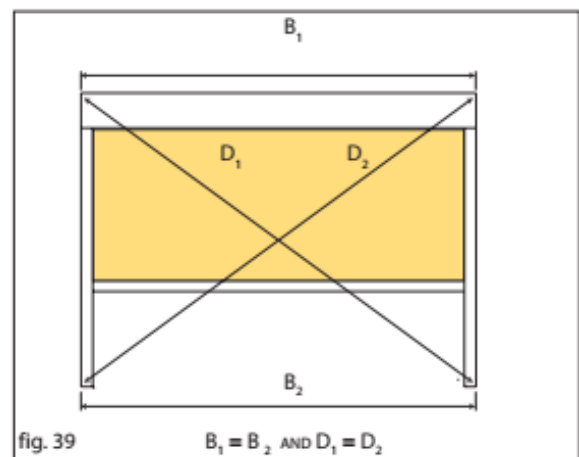
ATTENTION! The lower end position must never be exceeded. This could lead to reverse winding of the fabric and damage to the roller shutter.

Step 8: Checking the assembly

Always make sure the roller blind is properly installed:

1. First, check **horizontality** of the box.
2. Check whether both guide rails are parallel to one another and, at the same time, perpendicular to the box.
3. Measure and compare the diagonals accurate to the nearest millimetre.

If the box and guide rails are not installed correctly, the bottom slat will wind into the box at an angle, causing the fabric to crinkle or pull out from the plastic insert in the guide rail.



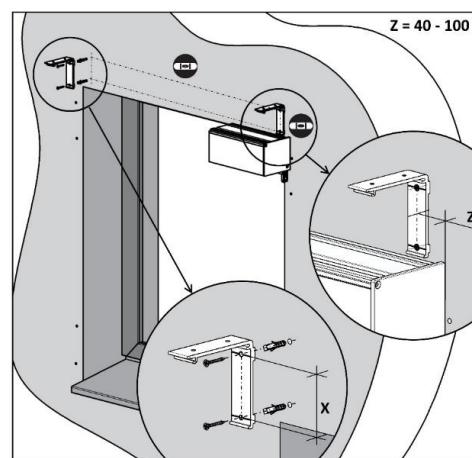
Method 2. Placing the complete assembly of the box and guide rails in or above the window opening and securing by bolts (used where there is insufficient space for sliding the guide rails on the side piece pin, for example due to the presence of a window sill or for the self-supporting version of the screen roller shutter).

Box type	X
90	52 mm
110	73 mm
150	115 mm



Step 1: Drilling the holes for the wall/ceiling holders

1. Place the wall/ceiling holders to the assembly surface. Use the upper holes for ceiling mounting, and the rear holes for wall mounting.
2. The box must be perfectly horizontal, and therefore make sure whether the wall/ceiling holders are properly aligned. To do this, use a tube spirit level and a plumb line, or another suitable tool.
3. The wall/ceiling holders must be installed 40–100 mm from the box sides. Any additional holders are to be installed evenly distributed along the box width and they are intended to prevent arching of wider boxes.



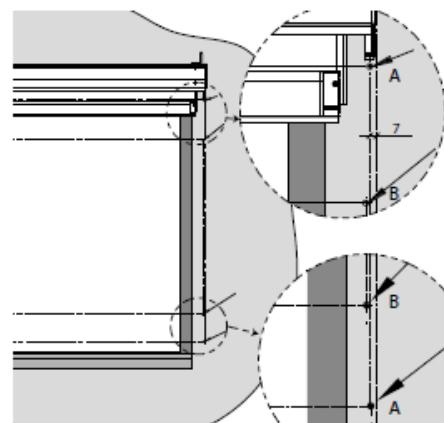
For the self-supporting version, skip Step 1 and continue to Step 2.

Step 2: Drilling the holes for the guide rails

Guide rails A839, A829:

1. Indicate holes to be drilled to the wall or another assembly surface. Use predrilled guide rails to do this.
2. A indicates holes for attaching the guide rails (see Fig. below).
3. B indicates holes for the holders (see Fig. below).

Attach the holders to the assembly surface.



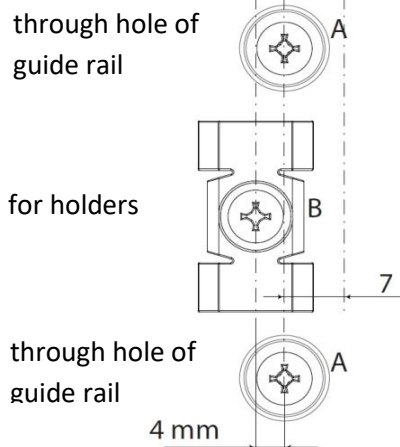
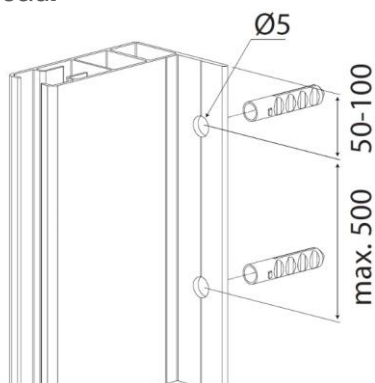
Guide rails A830, A820:

Use predrilled holes in the rails to attach the guide rails A830, A820.

For installation of the guide rails, it is necessary to use screws with a washer or with a larger support surface of the head.

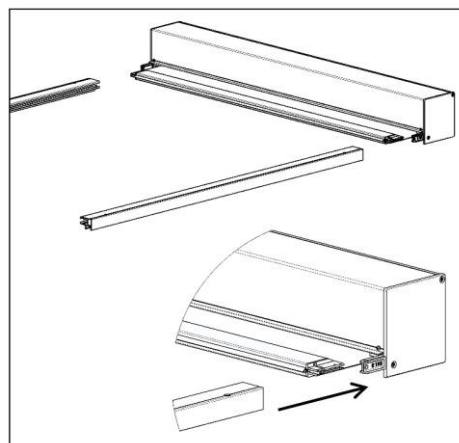
Guide rails A838, 828:

For installation of the guide rails, it is necessary to use screws with a washer or with a larger support surface of the head.



Step 3: Sliding the guide rails on the side piece pins

1. Place the roller blind box on the cardboard packaging (take care not to damage the surface treatment).
2. Then slide the predrilled guide rails to the side piece pins.
3. Make sure whether the bottom slat end pieces fit properly in the guide rail slots and whether the fabric zipper fits in the plastic insert in the guide rail.

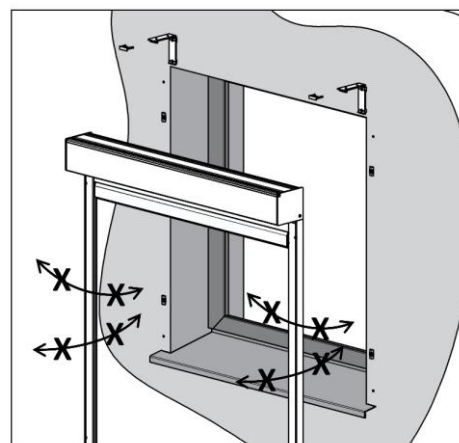
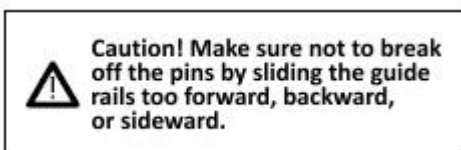


Step 4: Fitting the box and guide rails

1. Lift the box with the guide rails. Do this in cooperation with at least two other persons depending on the box width.
2. Place the complete assembly to the window opening.

During assembly, extra care must be taken to avoid breaking the sideboard spike.

The self-supporting version of the roller shutter does not use a mounting profile or a "wall-ceiling" bracket, and therefore there is a natural slight deflection of the box in the width of the roller shutter. This deflection creates an optical gap between the upper edge of the box and the soffit, where the self-supporting screen is mounted.

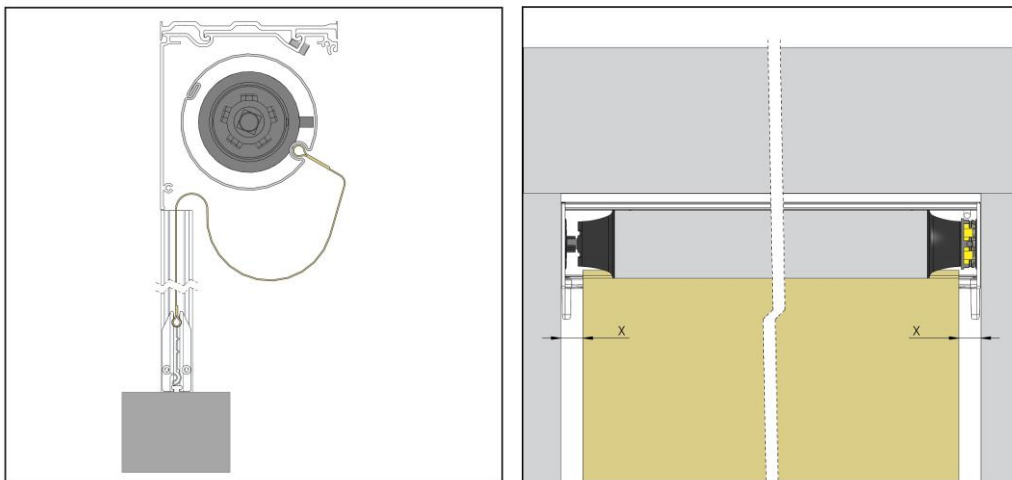


Step 5: Attaching the box to the wall/ceiling holders, and attaching the guide rails

1. Fit the box to the wall/ceiling holders.
2. Make sure the box is correctly fitted to all holders.
3. Fit and push the safety locks; they must click to correct position.
4. For guide rails A839, A829: click them to the holders head-on and attach to the assembly surface through holes A.
5. For guide rails A830, A820, A838, A828: attach them to the assembly surface through holes A.

Step 6: Centring the fabric in the box

1. Unroll the fabric completely from the roller (the fabric remains slid in the roller groove). Doing this, prevent soiling of the fabric and damage to the lower profile.
2. Centre the fabric in the roller so that it is in the centre of the box (not in the centre of the roller).
3. Check whether the fabric rolls up evenly → perform 2–3 control cycles. (CAUTION! End positions of the motor have not been set yet!)
End the check by moving the lower rail approx. 15 cm under the box.



Step 7: Adjusting the motor

It is necessary to connect the motor cables according to the drawing from the supplier and must be carried out by trained professionals. The entire electrical line must be de-energized during connection. The motors are in the factory settings, and during assembly it is necessary to perform the settings according to the manufacturer's instructions, including the end stops.

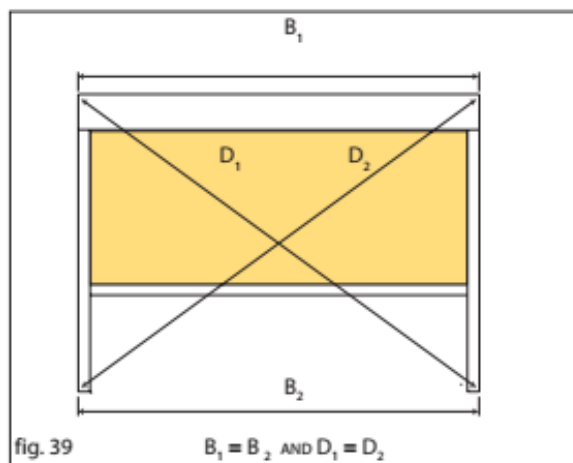
ATTENTION! The lower end position must never be exceeded. This could lead to reverse winding of the fabric and damage to the roller shutter.

Step 8: Checking the assembly

Always make sure the roller blind is properly installed:

1. First, check **horizontality** of the box.
2. Check whether both guide rails are parallel to one another and, at the same time, perpendicular to the box.
3. Measure and compare the diagonals accurate to the nearest millimetre.

If the box and guide rails are not installed correctly, the bottom slat will wind into the box at an angle, causing the fabric to crinkle or pull out from the plastic insert in the guide rail.



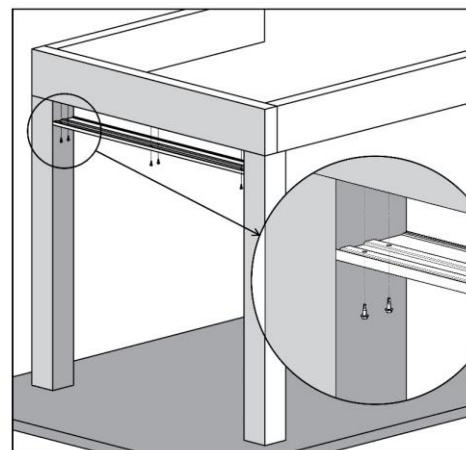
Variant B: Using the assembly profile

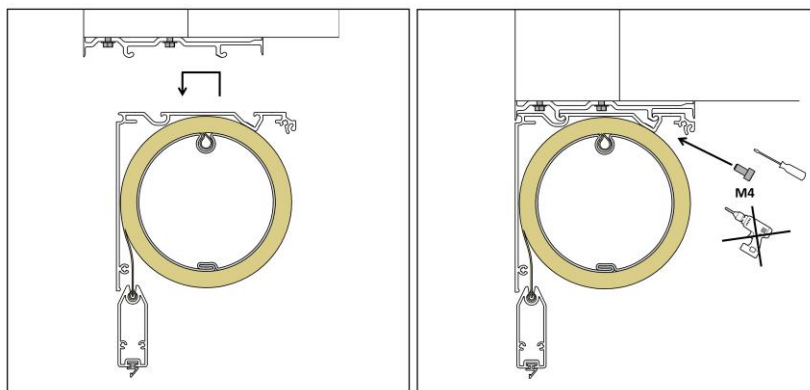
Step 1: Attaching the profile

1. Place the profile to the assembly surface and indicate the spots according to the predrilled holes. **The assembly surface must be perfectly horizontal!**
2. Predrill the holes according to the fasteners used and attach the assembly profile.

Step 2: Installing the box to the assembly profile

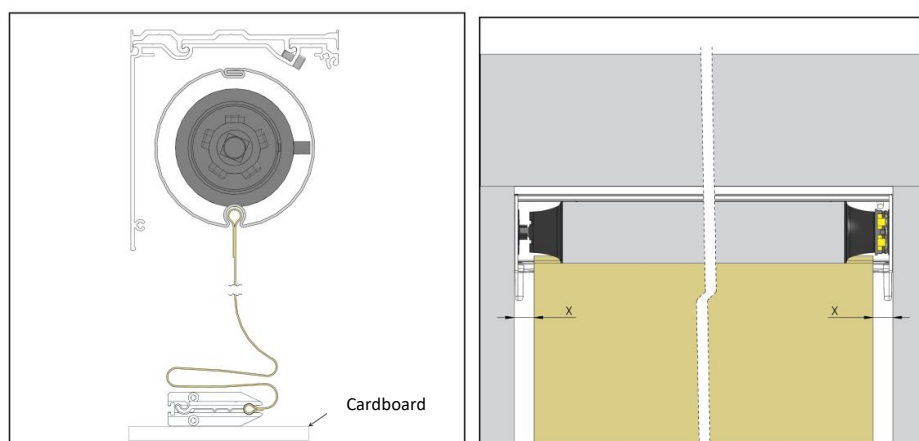
1. Remove the front cover of the box.
2. Fit the box to the assembly profile.
3. Make sure the box is correctly fitted to both locks throughout its length.
4. Drive the provided M4 bolts to predrilled holes in the box.





Step 3: Centring the fabric in the box

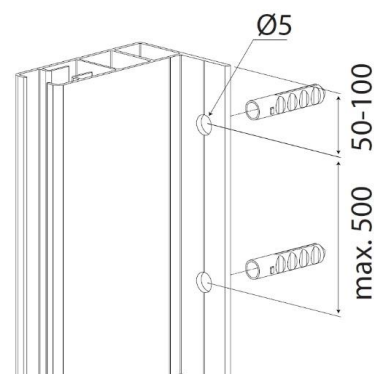
1. Unroll the fabric completely from the roller (the fabric remains slid in the roller groove). Doing this, prevent soiling of the fabric and damage to the lower profile.
2. Centre the fabric in the roller so that it is in the centre of the box (not in the centre of the roller).
3. Check whether the fabric rolls up evenly → perform 2–3 control cycles. (CAUTION! End positions of the motor have not been set yet!)
End the check by moving the lower rail approx. 15 cm under the box.



Step 4: Attaching guide rails

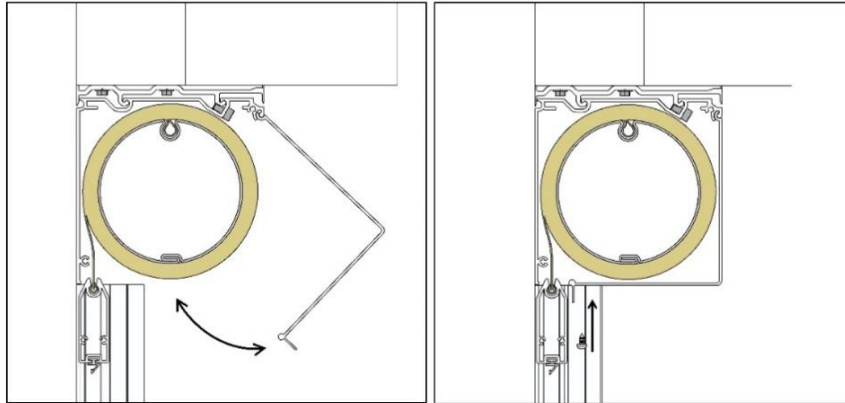
1. Slide the guide rails to the side piece pins.
2. Make sure whether the bottom slat end pieces
3. fit properly in the guide rail slots and whether
4. the fabric zipper fits in the plastic insert in the
5. guide rail.

Fasten the rails with bolts



Step 5: Attaching the front cover

Reinstall the box front cover.



Step 6: Adjusting the motor

It is necessary that the motor cables are connected according to the drawing from the supplier and must be carried out by trained experts. The entire electrical line must be de-powered when being connected. The motors are in the factory settings and during assembly, it is necessary to perform the settings according to the type of motor and the manufacturer's instructions, including the end stops. (see motor manual)

ATTENTION! The lower end position must never be exceeded. This could lead to reverse winding of the fabric and damage to the roller shutter.

Step 7: Checking the assembly

Always make sure the roller blind is properly installed:

1. First, check **horizontality** of the box.
2. Check whether both guide rails are parallel to one another and, at the same time, perpendicular to the box.
3. Measure and compare the diagonals accurate to the nearest millimetre.

If the box and guide rails are not installed correctly, the bottom slat will wind into the box at an angle, causing the fabric to crinkle or pull out from the plastic insert in the guide rail.

